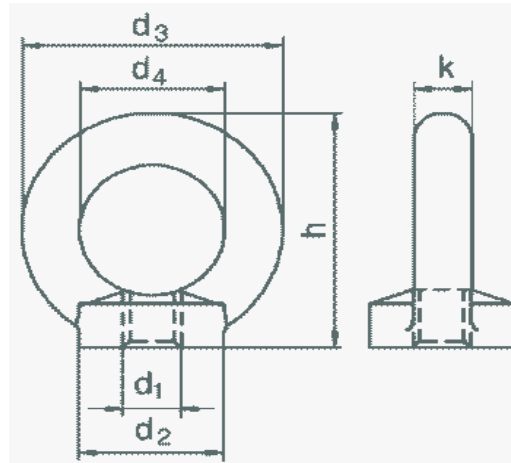


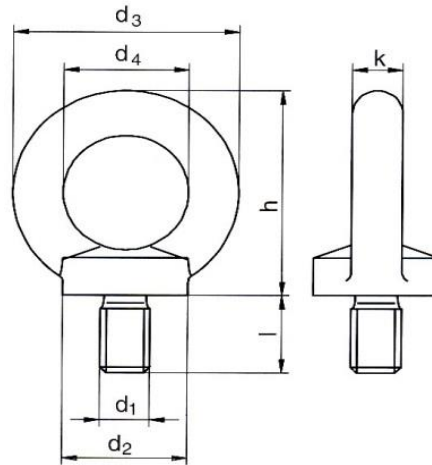
Eyenuts DIN 582



d_1	M6	M8	M10	M12	M14	M16	M18	M20	M22	M24	M27	M30	M33	M36	M39	M42
d_2	20	20	25	30	35	35	40	40	40	50	50	65	65	75	75	85
d_3	36	36	45	54	63	63	72	72	72	90	90	108	108	126	126	144
d_4	20	20	25	30	35	35	40	40	40	50	50	60	60	70	70	80
h	36	36	45	53	62	52	71	71	71	90	90	109	109	128	128	147
k	8	8	10	12	14	14	16	16	16	20	20	24	24	28	28	32

M14, M18, M22, M33 and M39 no longer in the current standard

Eyebolts DIN 580



d_1	M6	M8	M10	M12	M14	M16	M18	M20	M22	M24	M27	M30	M33	M36	M39	M42
d_2	20	20	25	30	35	35	40	40	40	50	65	65	75	75	85	85
d_3	36	36	45	54	63	63	72	72	72	90	108	108	126	126	144	144
d_4	20	20	25	30	35	35	40	40	40	50	60	60	70	70	80	80
h	36	36	45	53	62	62	71	71	71	90	109	109	128	128	147	147
k	8	8	10	12	14	14	14	16	16	20	24	24	28	28	32	32
l	13	13	17	20,5	27	27	30	30	30	36	45	45	54	54	63	63

M14, M18, M22, M33 and M39 no longer in the current standard